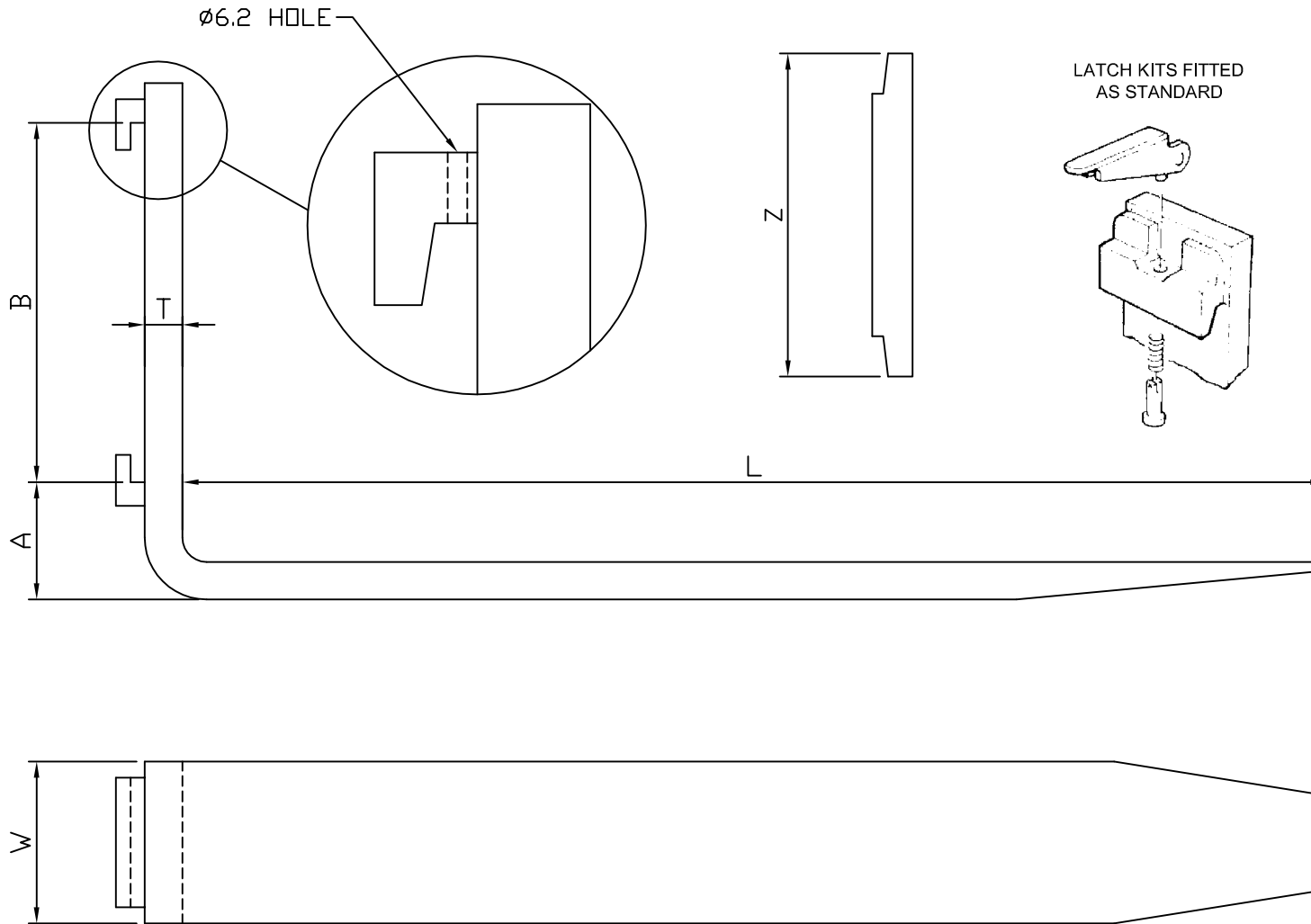


STANDARD / FEM FORKS

**TO BE COMPLETED
BY THE CUSTOMER**



CONTACT

NAME

ADDRESS

TELEPHONE

FAX

PURCHASE ORDER NUMBER

REQUIRED DELIVERY DATE

QUANTITY REQUIRED

DELIVERY ADDRESS (IF DIFFERENT)

SIGNED

DATE



Cranford Road, Burton Latimer, Kettering, Northamptonshire NN15 5TB
 T 01536 720444 F 01536 720445 E sales@midlandforklifts.co.uk www.midlandforklifts.co.uk

TRUCK		MODEL	
DIM - A	DIM - B	DIM - L	DIM - T
DIM - W	DIM - Z		